

Controller [FB8]

Controller Properties

General

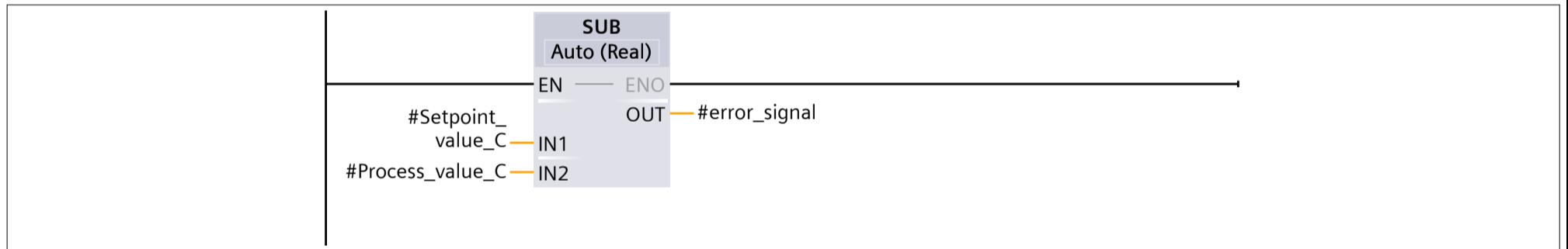
Name	Controller	Number	8	Type	FB	Language	LAD
Numbering	automatic						

Information

Title		Author		Comment		Family	
Version	0.1	User-defined ID					

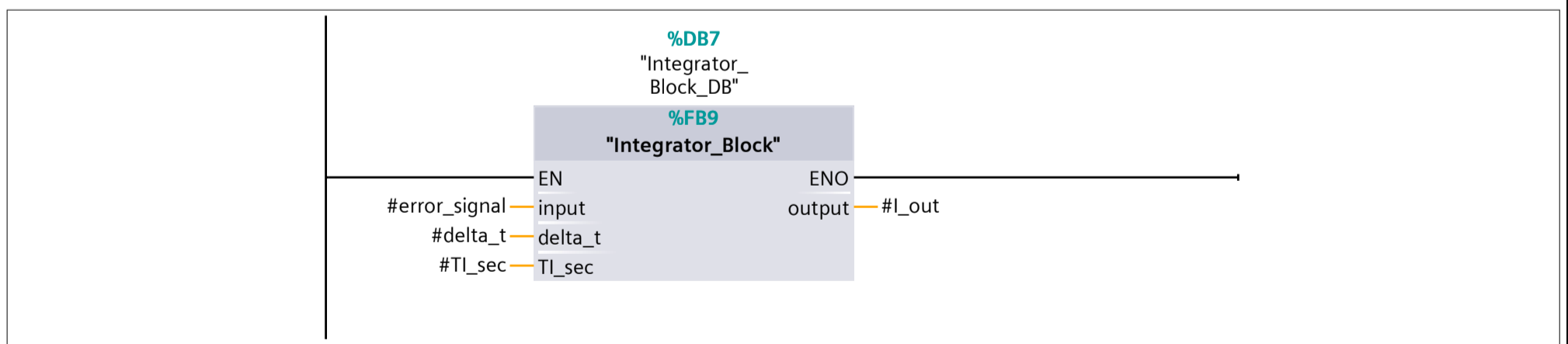
Name	Data type	Default value	Retain	Accessible from HMI	Visible in HMI	Setpoint	Comment
▼ Input							
Setpoint_value_C	Real	0.0	Non-retain	True	True	False	
Process_value_C	Real	0.0	Non-retain	True	True	False	
delta_t	Real	0.0	Non-retain	True	True	False	
Kc	Real	0.0	Non-retain	True	True	False	
TI_sec	Real	0.0	Non-retain	True	True	False	
TD_sec	Real	0.0	Non-retain	True	True	False	
T1_sec	Real	0.0	Non-retain	True	True	False	
▼ Output							
control_signal_out	Real	0.0	Non-retain	True	True	False	
InOut							
Static							
▼ Temp							
error_signal	Real						
I_out	Real						
D_out	Real						
DT1_out	Real						
output_without_Kc	Real						
Constant							

Network 1: error calculation



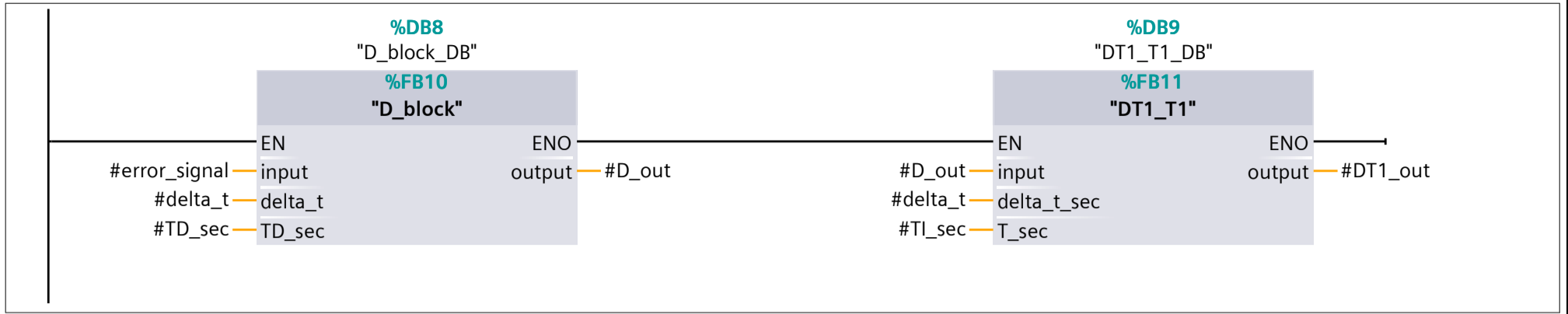
Symbol	Address	Type	Comment
#error_signal		Real	
#Process_value_C		Real	
#Setpoint_value_C		Real	

Network 2: Integral_channel



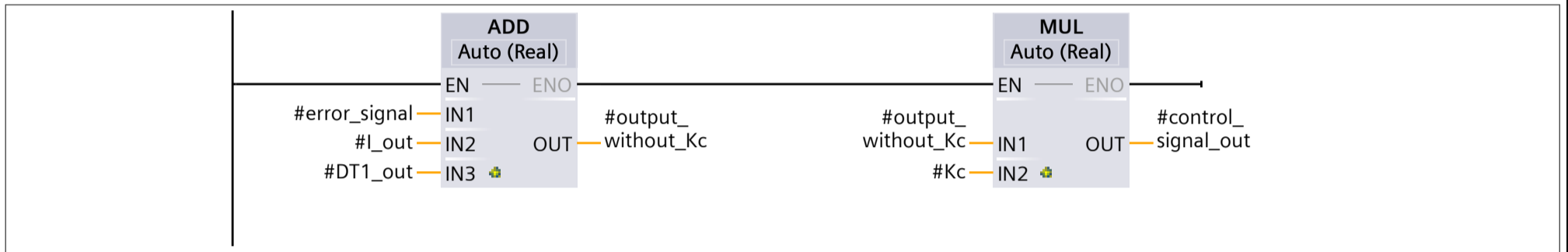
Symbol	Address	Type	Comment
#delta_t		Real	
#error_signal		Real	
#I_out		Real	
#TI_sec		Real	

Network 3: DT1_channel



Symbol	Address	Type	Comment
#D_out		Real	
#delta_t		Real	
#DT1_out		Real	
#error_signal		Real	
#TD_sec		Real	
#TI_sec		Real	

Network 4: output_calculation



Symbol	Address	Type	Comment
#control_signal_out		Real	
#DT1_out		Real	
#error_signal		Real	
#I_out		Real	
#Kc		Real	
#output_without_Kc		Real	